



YHL Self-Patching Tires



Product description



King Brand Industrial Limited
敬實實業有限公司



The soul of YHL safety tires is "puncture-resistant, leak-proof and explosion-proof". Its basic principle is to apply a petroleum polymer material with super memory function to automobiles by adopting the national invention patent technology and process flow. Tire lining. The material is in a soft and solid state, not only has good recovery performance and adhesion, but also has a series of performance characteristics such as waterproof, non-toxic, anti-corrosion, and anti-aging. Due to its high-strength memory synthesis function, when it encounters a foreign object (such as a nail, sharp gravel) and penetrates into the tire, the polymer material "moves" together with the "in-out" of the inserted object, and quickly tightly surround the punctured foreign matter, so as to form a tire self-repair phenomenon of "there is a hole outside the tire and a blockage inside the tire". The self-repair time does not exceed 0.5 seconds, ensuring the safe driving of the tire without leakage.



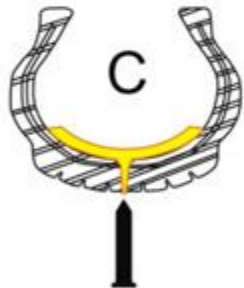
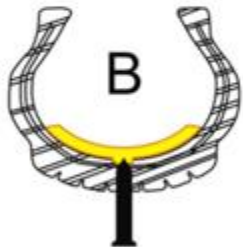
Technical principle



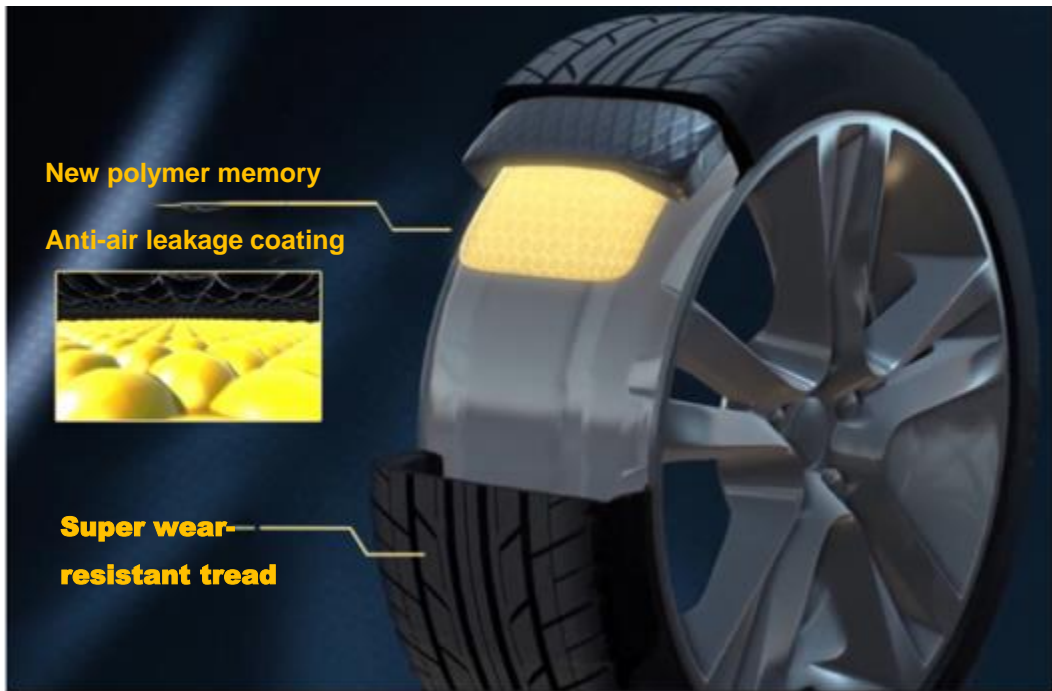
King Brand Industrial Limited
敬賓實業有限公司



When the tire is pierced by sharp objects such as nails, the memory glue inside the tire will seal the wound tightly in all directions in an instant, preventing the air in the tire from leaking out.



When the nail is pulled out, the memory glue will automatically reset and close, tightly plugging the leak, preventing the tire from leaking, thereby effectively preventing the tire from bursting suddenly.



Product Features and Benefits

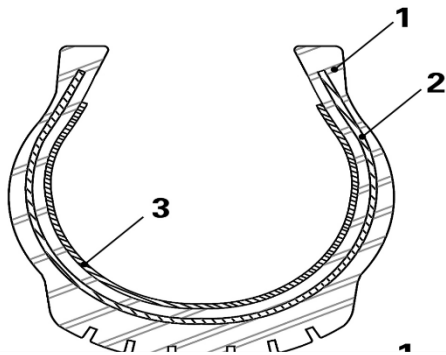


King Brand Industrial Limited
敬實實業有限公司



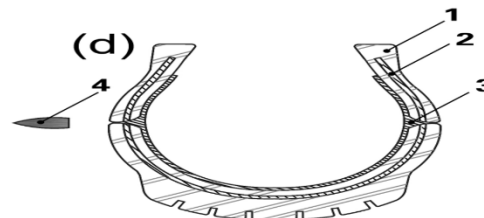
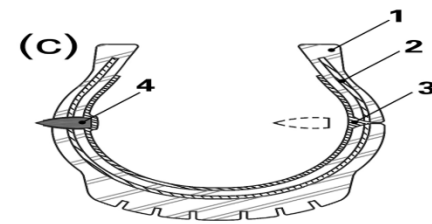
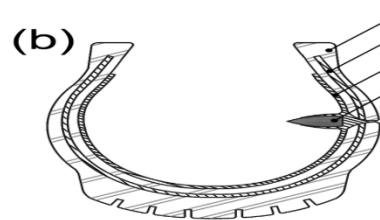
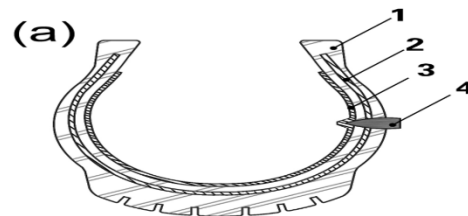
A. Bulletproof

1. Carcass
2. Belt layer
3. Elastomer colloidal leak-proof layer



1. Carcass
2. Belt layer
3. Elastomer colloidal leak-proof layer
4. Spike perforation
[bullet] $\varnothing \leq 8\text{mm}$

A. Bulletproof



**The bullet passes through the sidewall of the tire
The tires are safe and sound!**

Product Features and Benefits



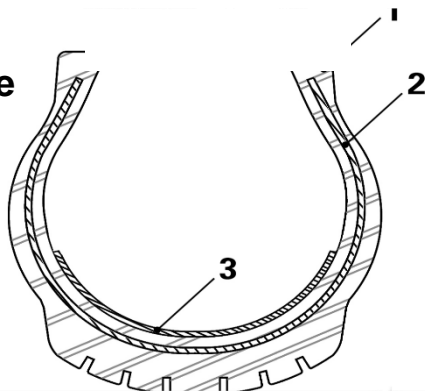
King Brand Industrial Limited
敬實實業有限公司



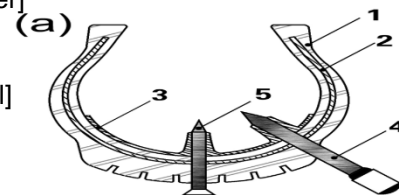
B. CIVIL special type

B. Civil special type

1. Carcass
2. Belt layer
3. Elastomer colloidal leak-proof layer

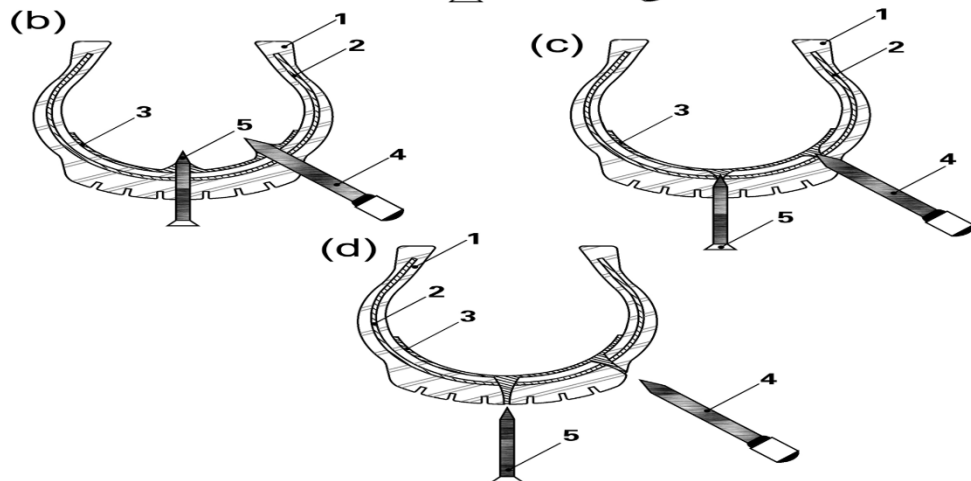
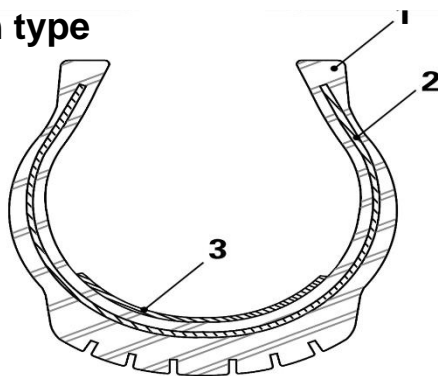


1. Carcass
2. Belt layer
3. Elastomer colloidal leak-proof layer
4. Spiked piercer [screwdriver]
 $\phi \leq 6\text{mm}$
5. Spike perforator [steel nail]
 $\phi \leq 6\text{mm}$



C. Civilian common type

1. Carcass
2. Belt layer
3. Elastomer colloidal leak-proof layer



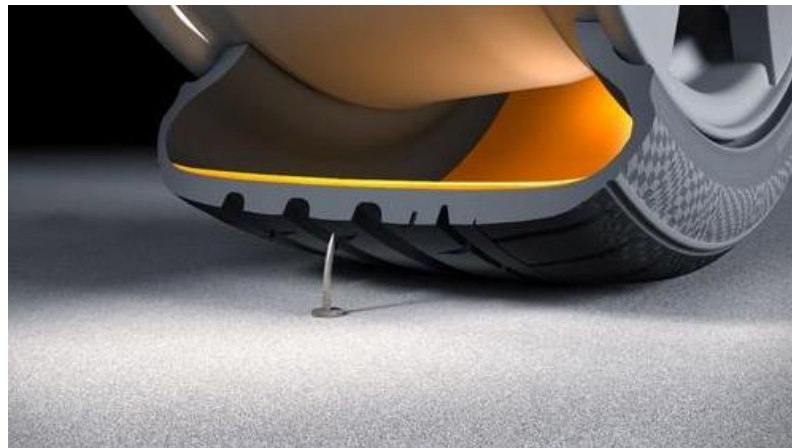
Three Revolutions of Tires



King Brand Industrial Limited
敬賓實業有限公司



We know that automobile tires have experienced three revolutions today. The first is the revolution from inner tubes to tubeless tires, the second is the revolution from tubeless tires to run-flat tires, and the third is the revolution from tubeless tires to tubeless tires. Realize the revolution from run-flat tires to safety tires. YHL is the leader and promoter of the third tire revolution.



Qualification/Patent



King Brand Industrial Limited
敬實實業有限公司



Patents and major honors: the product won the "Customer Satisfaction Brand of Guangdong Province", was selected into the "Chinese People's Liberation Army National Defense Military Industry Supporting Products Recommended Catalogue", was awarded the "Military-Civilian Integration Public Service Platform" by the Chinese People's Liberation Army National Defense Science and Technology Research Center, and has been awarded for three consecutive years Awarded "Advanced Unit of Military-Civilian Integration" by Shenzhen National Defense Science and Technology Industry Association.



Technical innovation certification
in the field of military-civilian
integration high-tech



YHL Safety Explosion-Proof Tires
Included in the National Defense
and Military Industry Supporting
Products Promotion Catalog



Military-civilian integration
advanced unit

Qualification/Patent



King Brand Industrial Limited
敬實實業有限公司



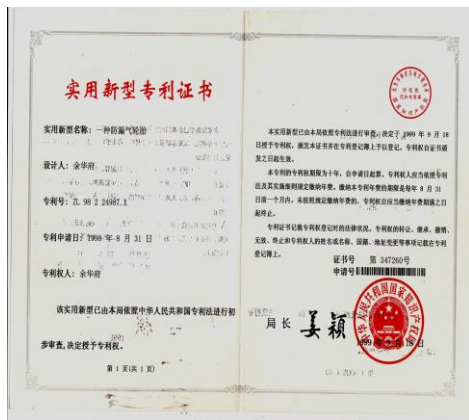
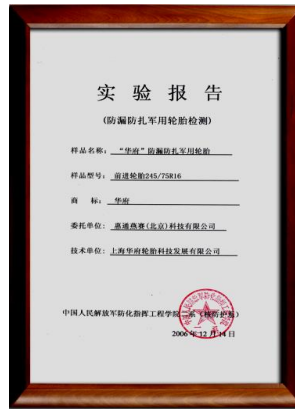
On October 26, 2010, YHL safety tire was certified by the "China Ordnance Industry Bulletproof Equipment Quality Supervision and Inspection Center": the tire can safely travel more than 200 kilometers after being penetrated by 7.62mm military pistol and submachine gun bullets and keep the tire pressure unchanged. ; After more than 3,000 times of puncture and rolling by steel nails and screwdrivers, there is no air leakage. In 2014, it passed the tire safety test of the Ministry of Public Security. We can proudly say that among the known similar products, there has not been a product with both national invention patents and such strict testing.



Qualification/Patent



King Brand Industrial Limited
敬實實業有限公司



Market and Competitive Analysis



King Brand Industrial Limited
敬實實業有限公司



At present, the tire market is generally oversupplied, but the safety tire market is still relatively blank, because its research and development is extremely difficult. Our car safety tires were successfully developed in 2014, but it took us 5 full days to develop tires for trucks and buses. To overcome the application difficulties, it was not until November this year that we passed the standard test in Shanghai. For now, with the upcoming launch of the safety big tire, we have 3-5 years of technical and market advantages in the industry, and the safety big tire is on the way. It is a huge blue ocean market.

Normal tire



YHL safety tire



Retired without fading



A new era of meritorious service

Exclusive distribution agent



King Brand Industrial Ltd.

Email: info@kingbrand.com.hk

